

Bullet Camera Junction Box

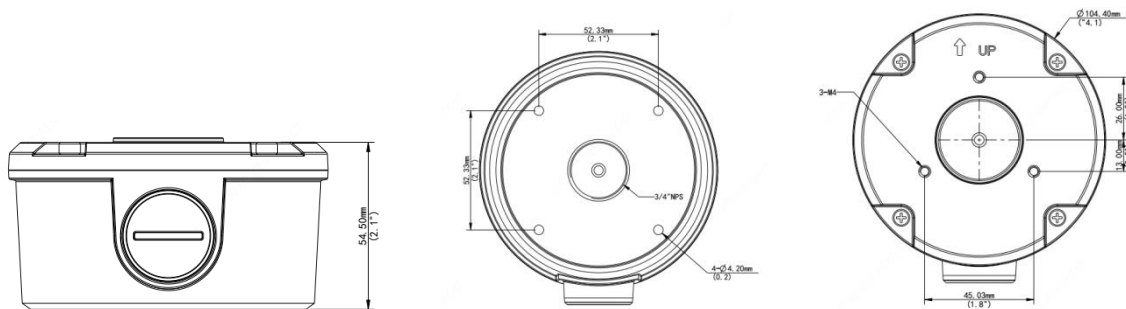
B-JB05-B-IN



Specifications

Bracket	B-JB05-B-IN
Application	Junction box for bullet camera of IPC-B1EX series and IPC-B1PX series
Dimensions	Φ104.4mm*54.5mm(4.11" x2.15")
Weight	0.36kg(0.79lb)
Material	Aluminum alloy

Dimensions



www.uniview.com/uniarch

©2021 Zhejiang Uniview Technologies Co.,Ltd. All rights reserved.

*Product specifications and availability are subject to change without notice.