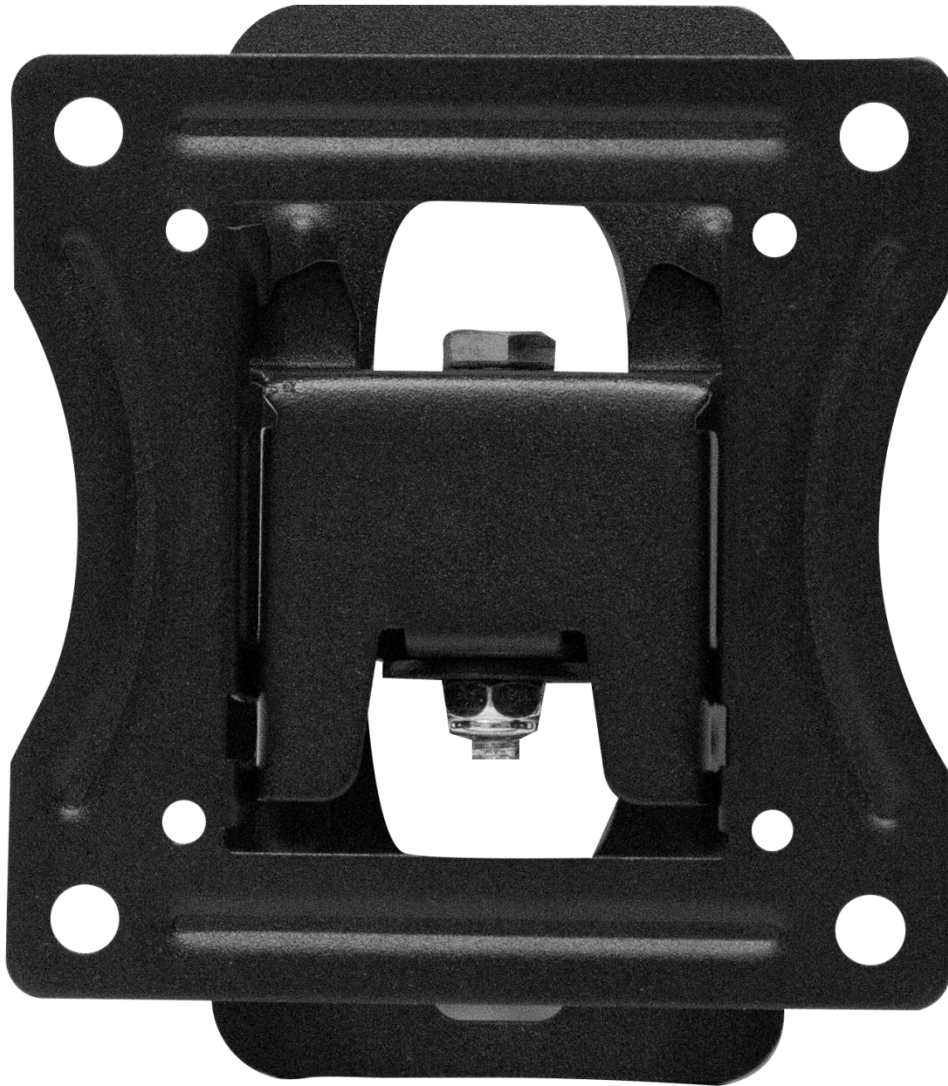


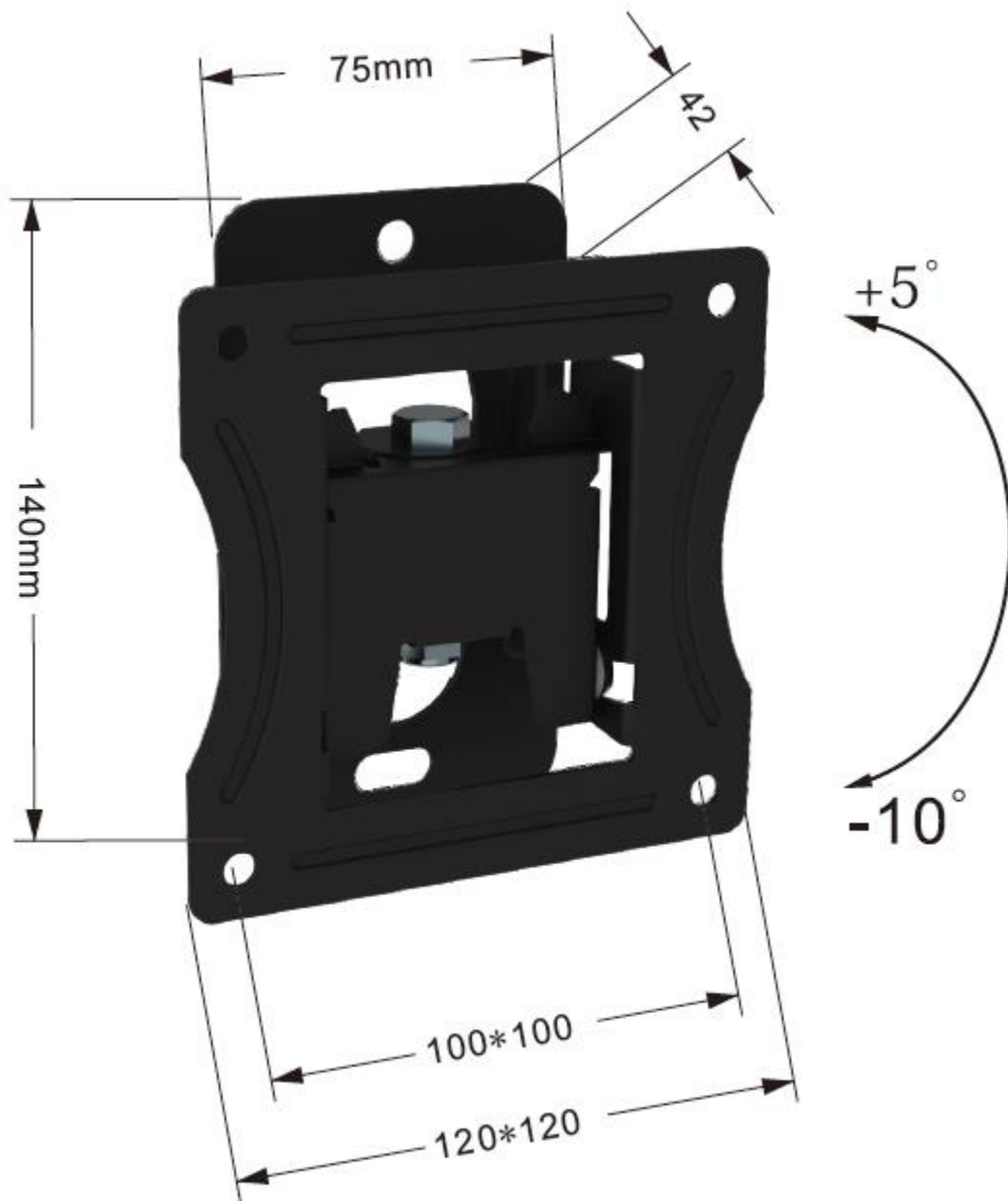
## 22" Wall-hanging Mounts



### Specifications

Model	HB-4022-A
Dimension(W×H×D)	140mm×120mm×42mm
Weight	0.5 Kg
Material	SGCC
Standard	VESA

## Dimensions



[www.uniview.com/uniarch](http://www.uniview.com/uniarch)

©2020 Zhejiang Uniview Technologies Co., Ltd. All rights reserved.

\*Product specifications and availability are subject to change without notice.